

DATASHEET

OVOPACK 2x6 r-PET



SIDE VIEW



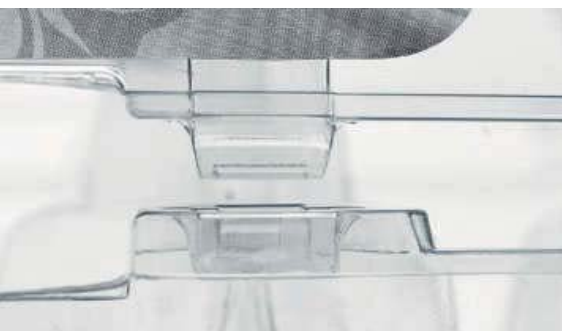
FRONT VIEW



TOP VIEW



SNAPLOCK EASY OPEN



DATASHEET

OVOPACK 2x6 r-PET

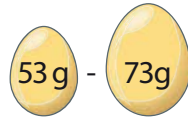
UNITS: 2

EGGS/UNIT: 6

MATERIAL: r-pet

PROCESSING: vacuum formed

CALIBER:



certified according to BRC/IoP Global Standard-Packaging



LAYER STRUCTURE

3 Boxes/Layer



TRUCK LOADING

Pieces/Box	360
Pieces/Pallet	8640
Pallets/Truck	30
Pieces/Truck	259200



CONTAINER LOADING

20"	88200 pcs.
40HC	224640 pcs.



MACHINE SETUP

MOBA

L	G	J	I1	I2	jaw
15	23	5	10	40	898

Remarks: WITH ARBOR

Moba ID: OVE2602

STAALKAT

Code OWN 43

Remarks



DECORATION



Label



Print



STORAGE

Pallet Dimensions (mm) 1345 x 800 x 2578

Pallet Dimension (inches) 52.95" x 31.49" 101.50"

max. 1 year



NO pallet on top of the other



max. +40°C
min. +10°C



Do NOT expose
to sunlight

BOX DIMENSIONS



780 x 446 x 306 mm (L x W x H)

30.71" x 17.56" x 12.05" (L x W x H)

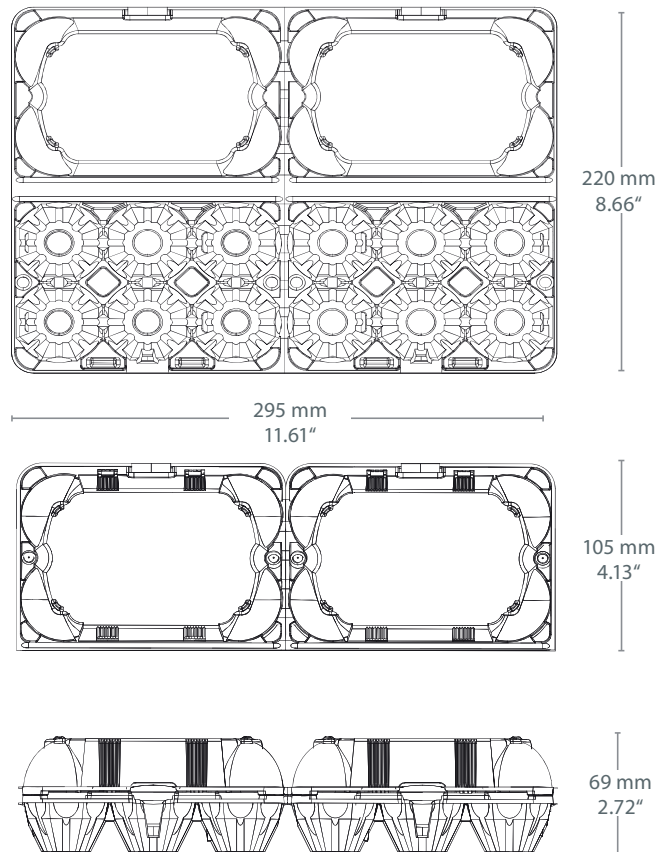
Net Weight (kg) 12.60

Box Weight (kg) 0.70

Gross Weight (kg) 13.70

Volume Box (m³) 0.106

PACK DIMENSIONS



OVOTHERM International Handels GmbH

Ricoweg 28, 2351 Wiener Neudorf, Austria / Europe

phone +43 2236 61928 0, fax +43 2236 62741

email office@ovotherm.com, email sales@ovotherm.com

